



KEY GRIP SYSTEMS
Development



RingLite



The Key Grip Systems Development Ringlite is a 31.7 cm Rd. camera light using a set of different LED Bulbs. Three different LED Bulbs (3200 °K, 5600 °K, and Hybrid 3200-5600 °K) provide a complete and accurate color temperature range.

The Ringlite fits most popular film/video lenses (sphericals and anamorphics) and cameras interfacing with common rods systems or directly onto the ARRI LMB 25 Matte Box (still allowing 3 filters use).

KGS Development

Mobile: +32(0)494 16 20 43
Phone: +32(0)2 706 09 09
info@kgd.be

kgd.be




RingLite

LED BULB

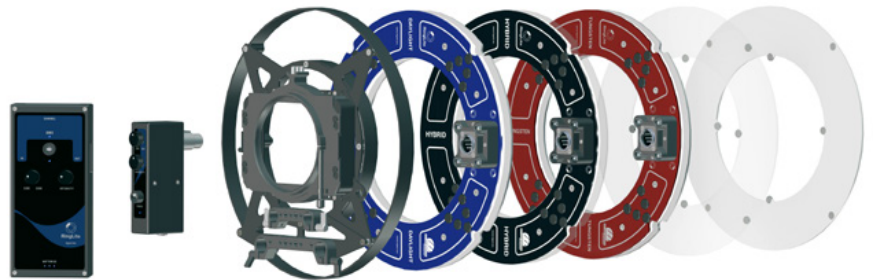
Three different LED Bulbs are available:

 **Tungsten**, using 240 LED's 3200°K

 **Daylight**, using 240 LED's 5600°K

 **Hybrid**, using a mix of 120 LED's 3200°K and 120 LED's 5600°K, allowing to work with any color between 3200°K and 5600°K

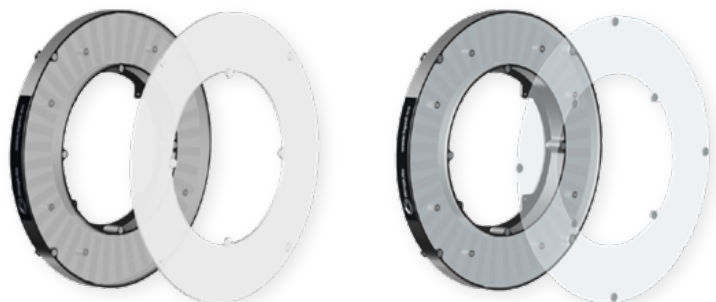
The LED Bulb simply fits the **Ringlite** frame using Velcro™.



FRONT RINGS

Two Front Rings are available, they fit the **RingLite** with magnets offering a simple way to sandwich any gel material.

The **White diffusion Ring** neutrally softens the LED highlights, the **Translucent Ring** allows the choice of a specific diffusion.




KEY GRIP SYSTEMS
Development




RingLite

LIGHTING CONTROL


Ligthing segments

 All the LED Bulbs are divided in **four 90° segments**. Each of the 4 ligthing segments can be **individually switched on and off**, allowing to blackout the light around the lens (left-right-up-down).

Intensity

 The LED Bulb can be fully dimmed by the **Controler - Receiver** or by the **External Radio Controler - DMX Transmitter**.

Colour temperature

 The color temperature can be balaced from 3.200°k to 5600°K by the **Controler - Receiver** or by the **External Radio Controler - DMX Transmitter**.



Radio Controller - DMX Transmitter



Controler - Receiver



RingLite

ITEMS

**RingLite
Frame**



Ref : PGA 100

**LED Bulb Tungsten
3200 °K**



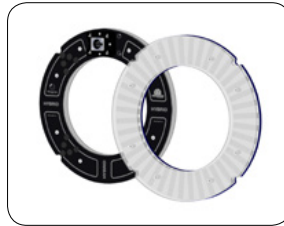
Ref : PGA 101

**LED Bulb Daylight
5600 °K**



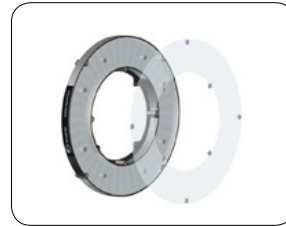
Ref : PGA 102

**LED Bulb Hybrid
3200 to 5600 °K**



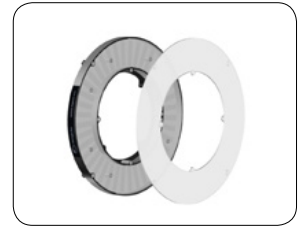
Ref : PGA 103

**Front Ring
Translucent**



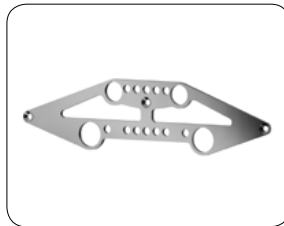
Ref : PGA 104

**Front Ring
White**



Ref : PGA 105

**Adapter plate to 19/15mm
Rod Clamp**



Ref : PGA106

Contrler - Receiver



Ref : PGA107

**Radio Controler -
DMX Transmitter**



Ref : PGA108

**Controler
Receiver Power Cable**



Ref : PGA 110

**LED Bulb
Power Cable**



Ref : PGA 112



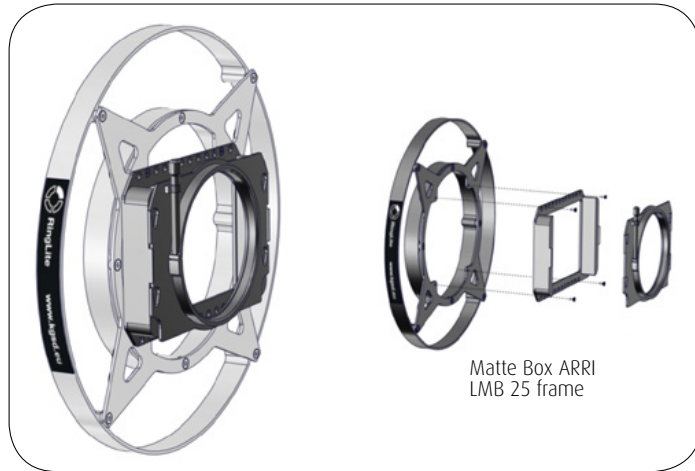
KEY GRIP SYSTEMS
Development



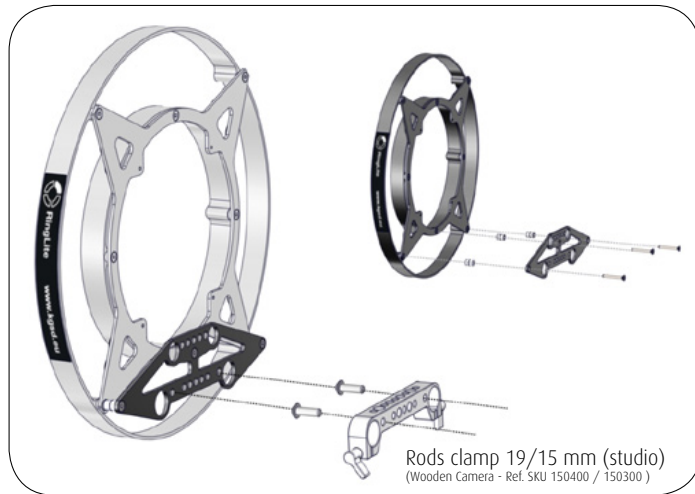
RingLite

COMPATIBILITY WITH CAMERAS AND LENSES

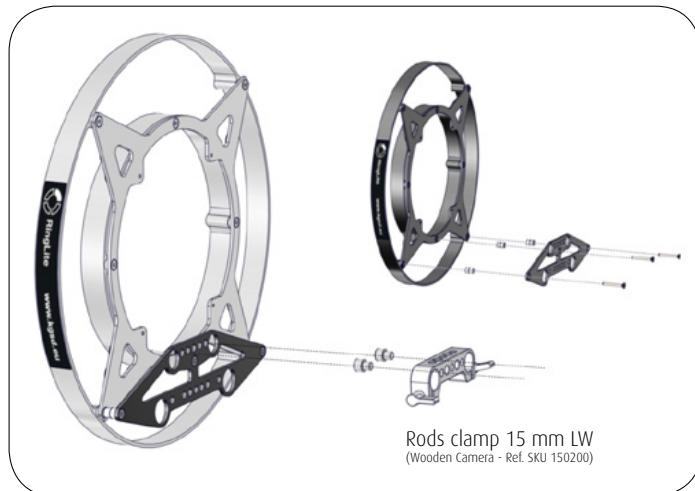
Compatibility RingLite / Matte Box - ARRI LMB 25



Compatibility RingLite / 19 and 15 mm (studio) rods clamp Wooden camera



Compatibility RingLite / 15 mm LW adapter Wooden camera



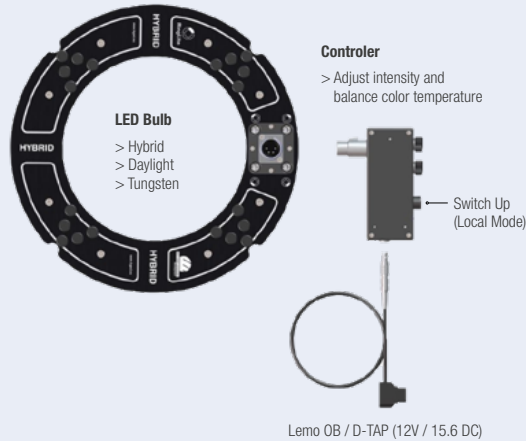
KEY GRIP SYSTEMS
Development



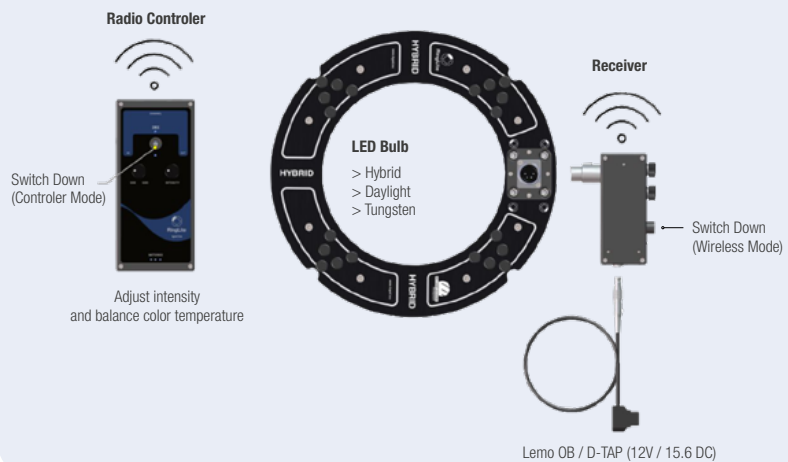
RingLite

WIRING DIAGRAM

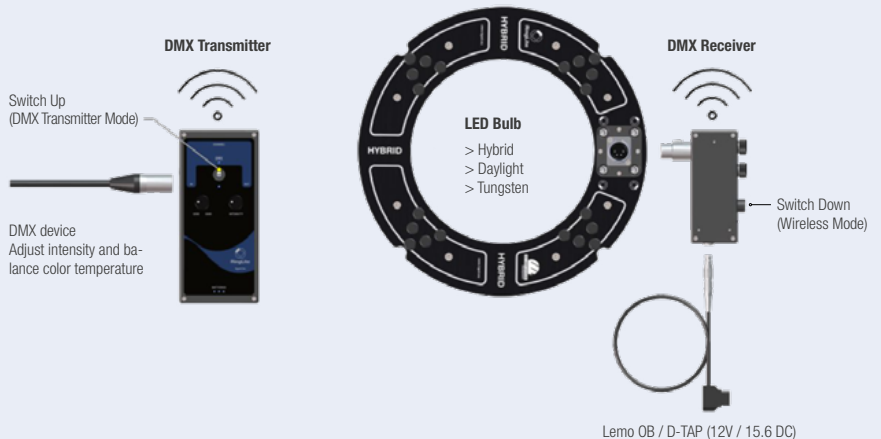
Wired Mode



Wireless Mode



DMX Mode



KEY GRIP SYSTEMS
Development



RingLite

SPECIFICATIONS

RingLite Main Frame	Dimensions Ø : 31.7cm, thickness 5.2 cm Weight / Ringlite & 1 LED panel : 1.4 kg Compatible with Matte Box ARRI LMB 25
LED Bulb Hybrid	120 LED 3200 °K + 120 LED 5600 °K (Litgear VHO Pro series 3200/6000 °K) 95 CRI Range between 3200 °K and 5600 °K Power connector : XLR 4 M (1 : 5600 °K / 2 : 3200 °K / 4 : +) switches on/off 4 segments 90° Velcro™ mounting Power consumption : 60W (12VDC) Weight : 0,7 Kg
LED Bulb Daylight	240 LED 5600 °K (Litgear VHO Pro series 5600 °K) 95 CRI Power connector : XLR 4 M (1 : 5600 °K / 4 : +) switches on/off 4 segments 90° Velcro™ mounting Power consumption : 60W (12VDC) Weight : 0,7 Kg
LED Bulb Tungsten	240 LED 3200 °K (Litgear VHO Pro series 3200 °K) 95 CRI Power connector : XLR 4 M (2 : 3200 °K / 4 : +) switches on/off 4 segments 90° Velcro™ mounting Power consumption : 60W (12VDC) Weight : 0,7 Kg
Adapter plate	Adapter plate to 19/15mm (studio), 15 mm LW needs Wooden Camera items Ref. SKU 150400 / SKU 150300 / SKU 150200
Front Rings	Neutral white diffusion Fit with magnets
Front Rings	Neutral translucent diffusion Fit with magnets
Power cable	To supply LED circular panel (XLR 4 F - XLR 4 M)
Radio Controller - DMX Transmitter	2 Modes: Radio Controller / DMX Transmitter Power: 4 x AA-LR6 1,5V 2.4Ghz Range : 300m
Radio Controller Mode	Intensity & Color Temp. Control
DMX Transmitter Mode	Input: XLR5/F Output: XLR5/M Address Control Intensity Address +1 Control Color Temp.
Receiver	2 Modes: Local / Wireless Power 12/15.6 DC - Lemo 0B
Local Mode	Intensity & Color Temp. Control
Wireless Mode	2.4GHz / Intensity & Color Temp. Control



KEY GRIP SYSTEMS
Development